

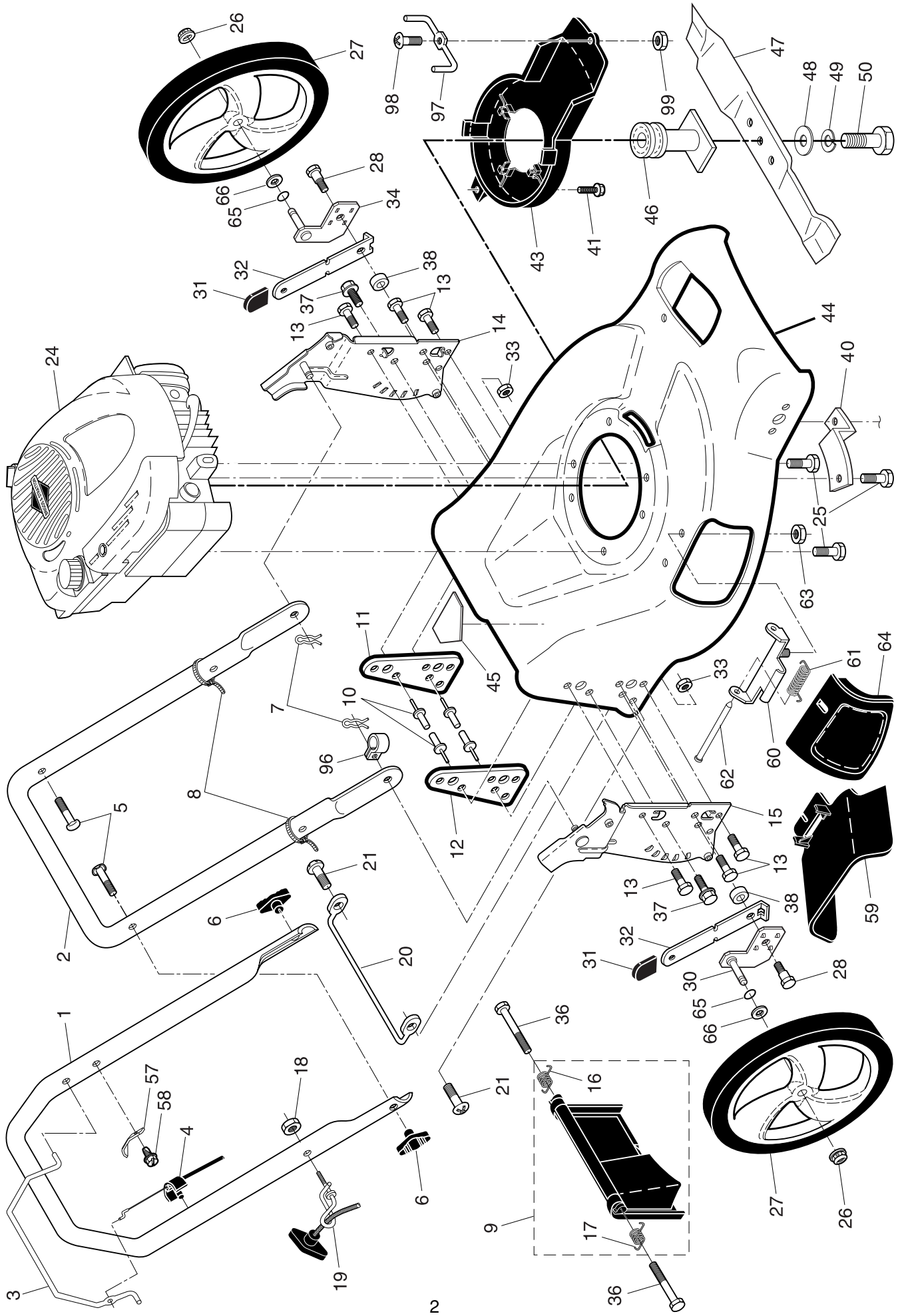
**ILLUSTRATED PARTS LIST**

**MODEL NUMBER P6553D**

**PRODUCT NUMBER 961 41 00-68**

**MFG. ID. NUMBER 96141006801**

**ROTARY LAWN MOWER - - MODEL NUMBER P6553D (96141006801) PRODUCT NUMBER 961 41 00-68**

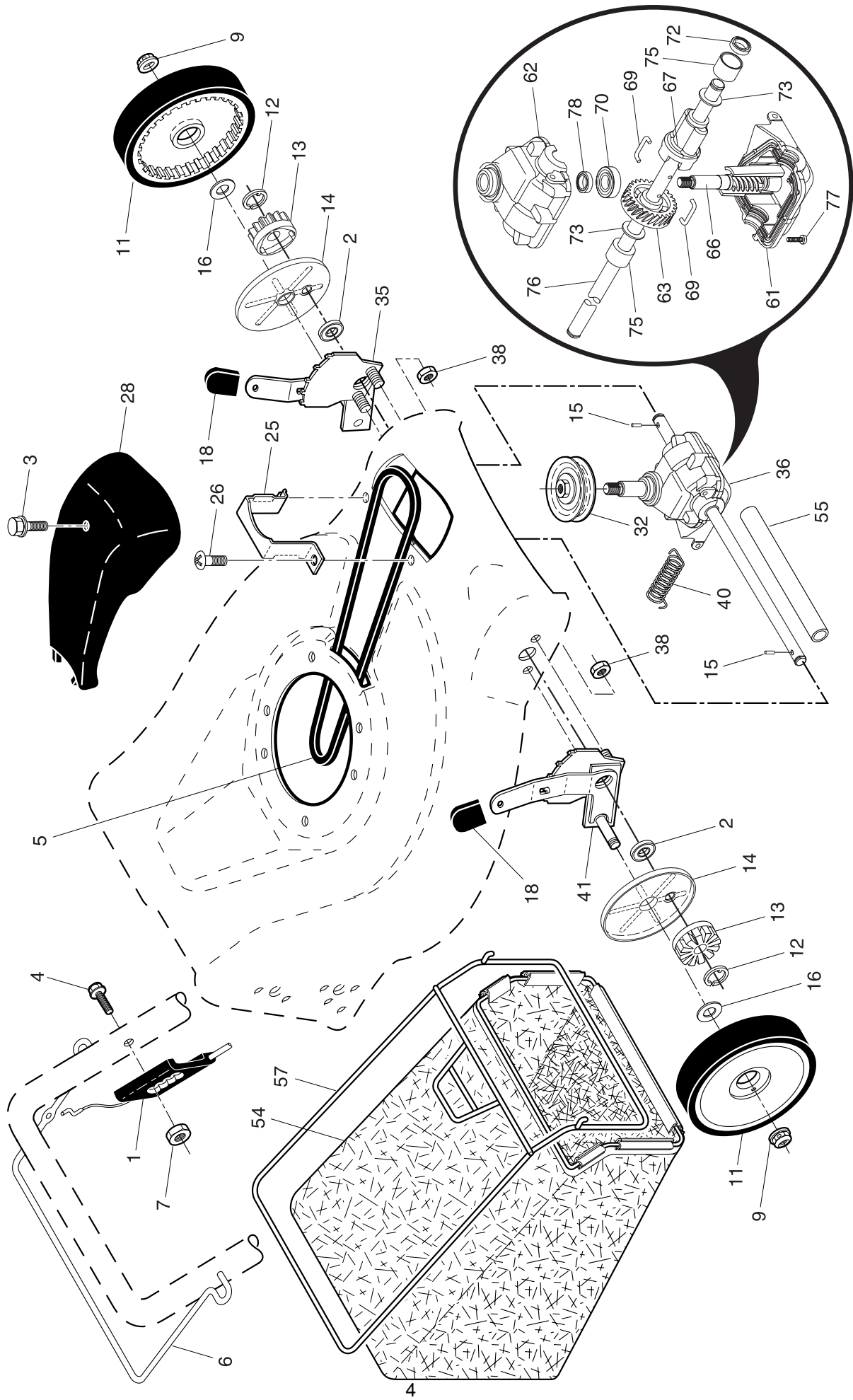


# ROTARY LAWN MOWER - - MODEL NUMBER P6553D (96141006801) PRODUCT NUMBER 961 41 00-68

KEY NO.	PART NO.	DESCRIPTION	KEY NO.	PART NO.	DESCRIPTION
1	532 19 84-59	Upper Handle	36	532 18 41-93	Bolt
2	<b>532 15 36-05</b>	Lower Handle	37	532 15 00-78	Screw
3	532 19 84-64	Control Bar	38	819 11 22-06	Spacer
4	532 18 35-67	Engine Zone Control Cable	40	532 19 09-39	Mounting Bracket, Debris Shield
5	532 19 15-74	Handle Bolt	41	532 19 23-25	Screw
6	532 19 19-38	Handle Knob	43	532 19 89-10	Debris Shield
7	532 05 17-93	Hairpin Cotter	44	532 40 07-33	Lawn Mower Housing
8	532 06 64-26	Wire Tie			(Includes Key Numbers 10, 11, 12 and 45)
9	532 18 04-79	Rear Door Kit (Includes Key #16 and 17)	45	532 18 21-66	Danger Decal
10	532 12 84-15	Pop Rivet	46	532 19 77-52	Blade Adapter / Pulley
11	532 18 25-38	Support Bracket, LH	47	532 19 93-77	Blade 21"
12	532 18 25-39	Support Bracket, RH	48	532 85 10-74	Hardened Washer
13	817 06 04-10	Screw 1/4-20 x 5/8	49	532 85 02-63	Helical Washer 3/8-24 x 1-3/8 Grade 8
14	532 18 25-43	Handle Bracket Assembly, LH	50	532 85 10-84	Hex Head Machine Screw 3/8-24 x 1-3/8 Grade 8
15	532 18 25-45	Handle Bracket Assembly, RH	57	532 12 51-62	Bracket, Upstop
16	532 18 00-71	Spring, Rear Door, LH	58	532 75 06-34	Screw
17	532 18 00-72	Spring, Rear Door, RH	59	532 17 50-71	Discharge Deflector
18	532 13 20-04	Keps Locknut 1/4-20	60	532 17 57-35	Bracket, Hinge
19	532 19 47-88	Rope Guide	61	532 19 30-00	Spring, Hinge
20	532 17 92-05	Foot Guard, C.E.	62	532 17 56-50	Rod, Hinge
21	532 05 45-83	Screw, Tapping 1/4-20 x 1/2	63	873 80 04-00	Nut, Hex
24	- - -	Engine, Briggs & Stratton, Model Number 123K02 (Order parts from engine manufacturer)	64	532 17 50-66	Mulcher Door
25	532 15 04-06	Screw, Hex Head, Threaded, Rolled 3/8-16 x 1-1/8	65	532 19 74-80	O-Ring
26	532 14 52-12	Hex Flange Nut	66	532 08 83-48	Washer, Flat
27	532 40 29-35	Wheel & Tire Assembly	96	532 19 79-91	Clip, Cable
28	532 16 08-28	Shoulder Bolt 5/16-18 x .33	97	532 19 71-62	Belt Keeper
30	532 40 25-71	Axle Arm Assembly, Rear, RH	98	532 18 22-27	Screw
31	532 08 78-77	Selector Knob	99	532 18 22-28	Nut, Hex
32	532 19 01-57	Selector Spring	--	532 40 56-13	Operator's Manual, European
33	873 80 05-00	Nut, Hex	--	532 40 56-16	Operator's Manual, Scandinavian
34	532 40 25-72	Axle Arm Assembly, Rear, LH	--	532 40 56-18	Operator's Manual, East Bloc
			--	532 40 56-19	Operator's Manual, Baltic

**NOTE:** All component dimensions given in U.S. inches. 1 inch = 25.4 mm. **IMPORTANT:** Use only Original Equipment Manufacturer (O.E.M.) replacement parts. Failure to do so could be hazardous, damage your lawn mower and void your warranty.

**ROTARY LAWN MOWER -- MODEL NUMBER P6553D (96141006801) PRODUCT NUMBER 961 41 00-68**



# ROTARY LAWN MOWER - - MODEL NUMBER P6553D (96141006801) PRODUCT NUMBER 961 41 00-68

KEY NO.	PART NO.	DESCRIPTION	KEY NO.	PART NO.	DESCRIPTION
1	532 40 01-61	Drive Control Assembly (Includes Cable)	38	873 80 04-00	Locknut, Hex 1/4-20
3	532 17 52-62	Pan Head Tapping Screw #10-24 x 2-3/4	40	532 19 28-49	Spring
4	532 19 96-87	Hex Washer Head Screw 1/4-20 x 2.12	41	532 19 51-07	Kit, Wheel Adjuster, RH (Includes Knob and Bearing)
5	532 19 68-53	V-Belt	54	532 19 48-53	Grassbag
6	532 19 84-53	Control Bar	55	532 17 57-39	Driveshaft Cover
7	532 19 17-30	Nut, Hex, Flanged 1/4-20	57	532 19 46-43	Frame, Grassbag
9	532 08 39-23	Locknut, Hex	61	532 18 75-25 *	Case, Lower
11	532 40 29-36	Wheel & Tire Assembly	62	532 18 75-26 *	Case, Upper
12	812 00 00-58	E-Ring	63	532 18 34-99	Gear, 27 Teeth
13	532 75 00-03	Gear, Pinion	66	532 18 75-27	Shaft, Input
14	532 18 94-03	Dust Cover	67	532 18 75-28	Spacer
15	532 19 10-17	Pawl, Drive	69	532 18 35-05	Wire, Formed
16	532 06 77-25	Washer 1/2 x 1-1/2 x .134	70	532 18 35-06	Bearing, Ball
18	532 08 78-77	Selector Knob	72	532 18 35-08	Seal, Output Shaft
25	532 19 90-89	Belt Keeper	73	532 18 35-09	Washer
26	532 15 00-78	Screw	75	532 18 35-11	Bushing
28	532 18 14-68	Drive Cover	76	532 18 75-29	Shaft, Output
32	532 19 40-18	Drive Pulley	77	532 18 35-13	Screw
35	532 19 51-10	Kit, Wheel Adjuster, LH (Includes Knob and Bearing)	78	532 18 35-14	Seal, Input Shaft
36	532 18 82-96	Gearcase Assembly, Complete			

\* Use Dow Corning #709 to reseal Gear Case Halves.

**NOTE:** All component dimensions given in U.S. inches. 1 inch = 25.4 mm. **IMPORTANT:** Use only Original Equipment Manufacturer (O.E.M.) replacement parts. Failure to do so could be hazardous, damage your lawn mower and void your warranty.